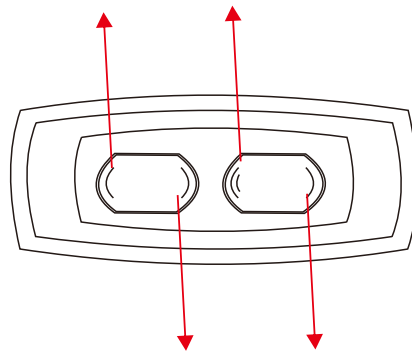


Close Headrest Close Mechanism



Open Headrest Open Mechanism